

# Rubber Trails & Surfaces Canada Ltd.

[www.rubbertrailsandsurfaces.ca](http://www.rubbertrailsandsurfaces.ca)

815 HWY 336  
Upper Musquodoboit  
Nova Scotia Canada B0N 2M0  
Tel.: (902) 568-2469  
Fax: (902) 568-2460  
[info@rubbertrailsandsurfaces.ca](mailto:info@rubbertrailsandsurfaces.ca)

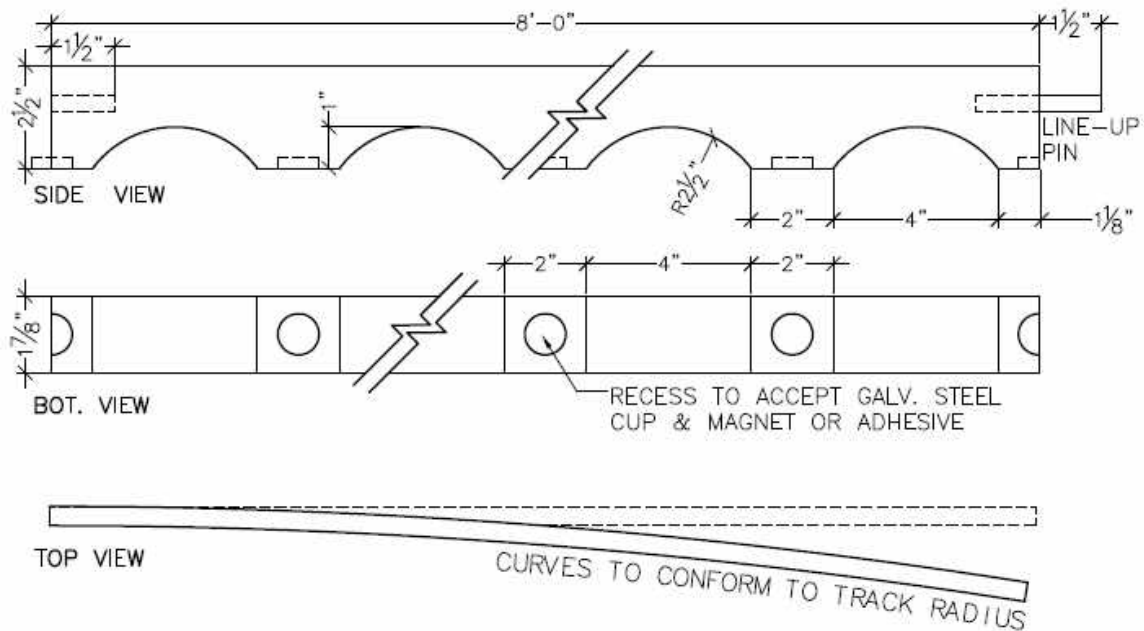
## Rubber Flex Inside Line Running Track Curb

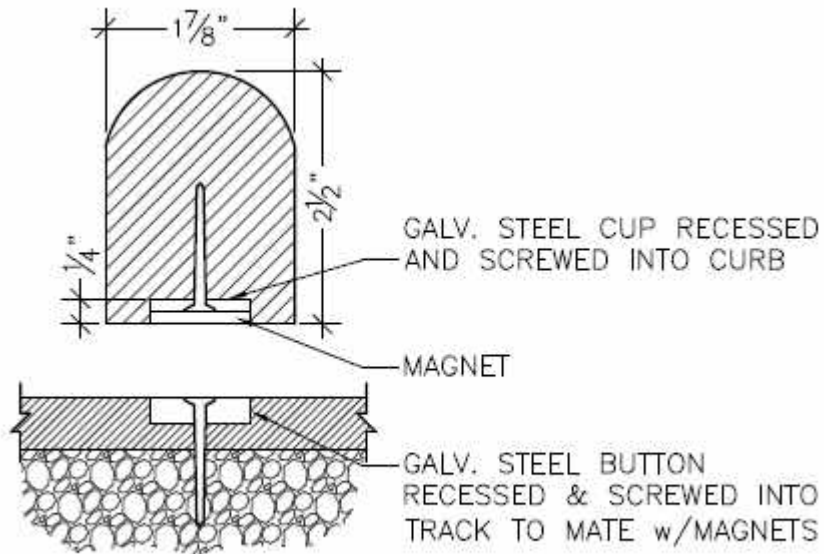
With a 3 Year material warranty, our Rubber Flex Inside Line Running Track Curb is designed specifically for artificial turf fields and is made from 100% recycled rubber. Designed to meet all Olympic track and field requirements, the hollowed out design allows for water to drain freely and move quickly from the track surface.

Providing runners with the utmost in safety, this flexible edge greatly reduces the chance of serious injury in case of a fall or pileup than conventional edging.

Securely glued and fastened to the track, this Rubberflex product will last for years. Easy access to the turf field is guaranteed when fitted with our unique magnetic attachment system.

This allows for a section(s) to be easily removed and reinstalled within seconds.





CROSS SECTION

**CURB FASTENING OPTIONS:**

- A. GALV. STEEL CUP FLUSH RECESSED INTO BOTTOM OF CURB AND FASTENED w/ SCREW TO ACCEPT MAGNETS AND GALV. STEEL BUTTONS FLUSH RECESSED INTO SURFACE BELOW FASTENED w/ SCREWS TO MATE WITH MAGNET.
- B. ADHERED PERMANENTLY w/ POLYURATHANE ADHESIVE.